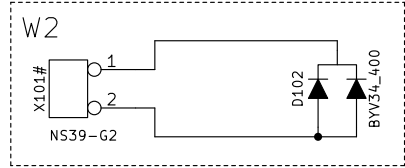
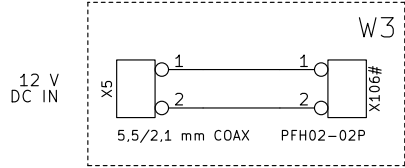
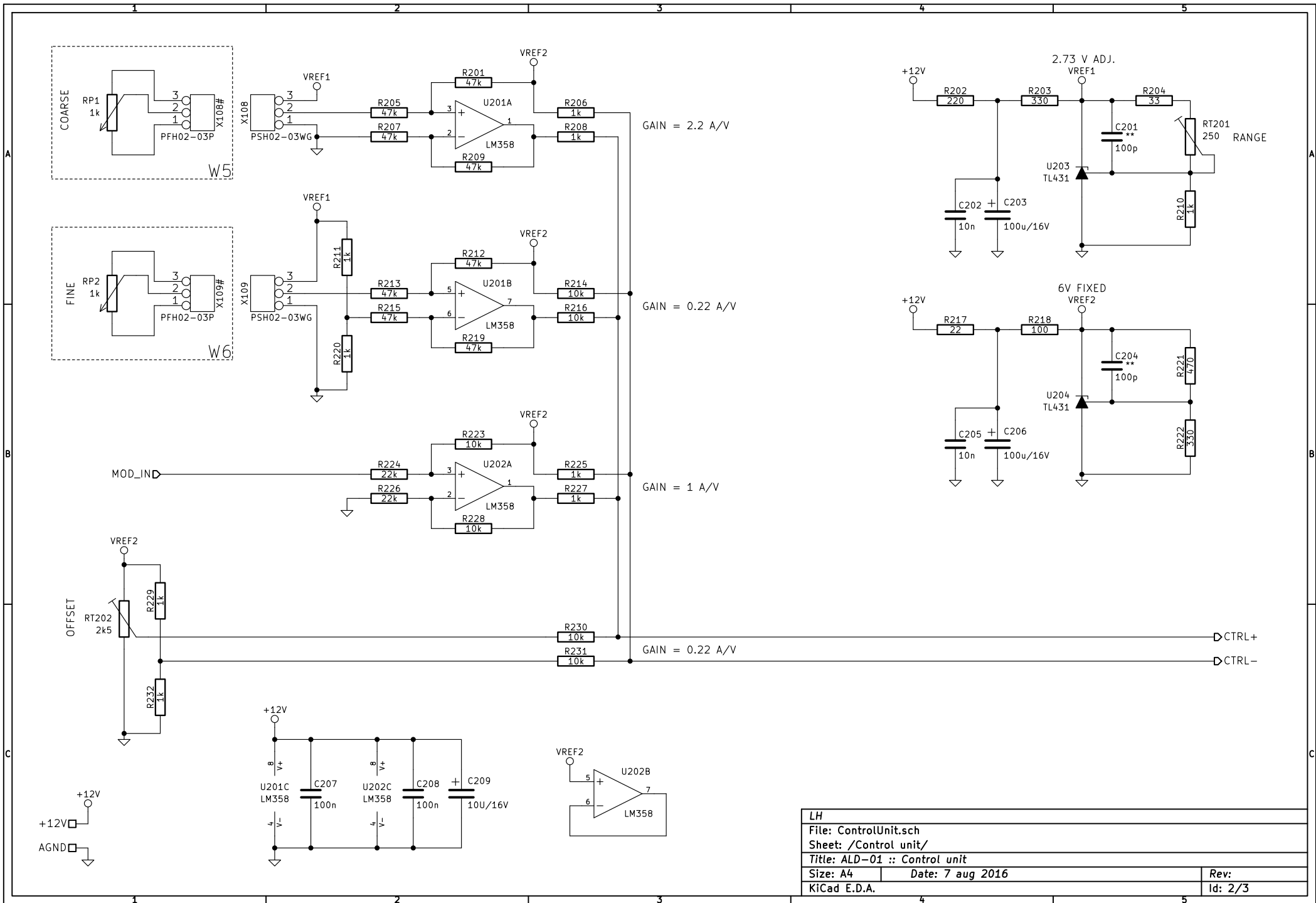


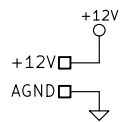
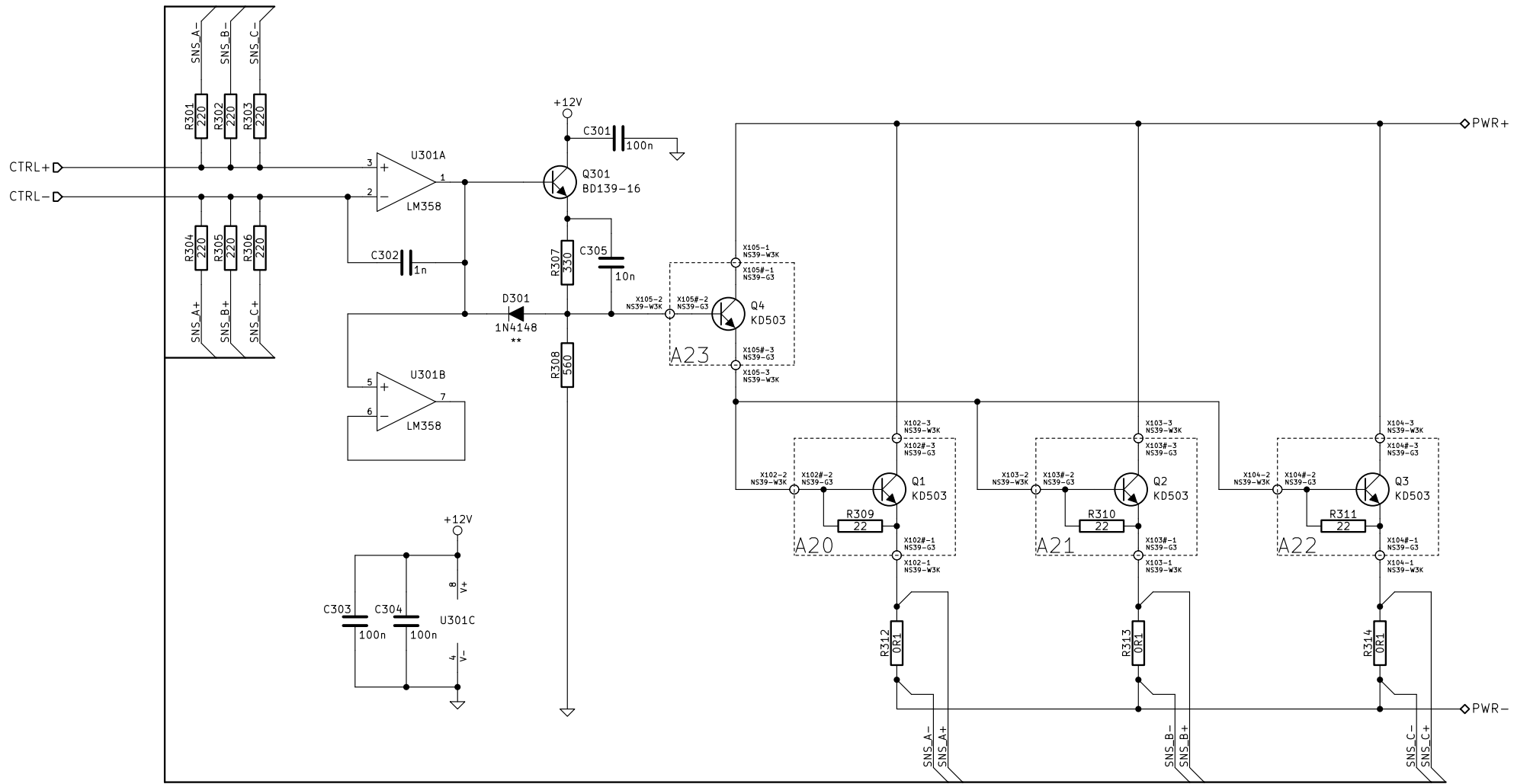
D. U. T. INPUT  
60V / 6A MAX.



LH	
File: ALD-01.sch	
Sheet: /	
Title: ALD-01 - Active DC load	
Size: A4	Date: 7 aug 2016
KiCad E.D.A.	Rev: Id: 1/3



LH	
File: ControlUnit.sch	
Sheet: /Control unit/	
Title: ALD-01 :: Control unit	
Size: A4	Date: 7 aug 2016
KiCad E.D.A.	Rev: Id: 2/3



LH	
File: PowerUnit.sch	
Sheet: /Power unit/	
Title: ALD-01 :: Power unit	
Size: A4	Date: 7 aug 2016
KiCad E.D.A.	Rev: 3/3